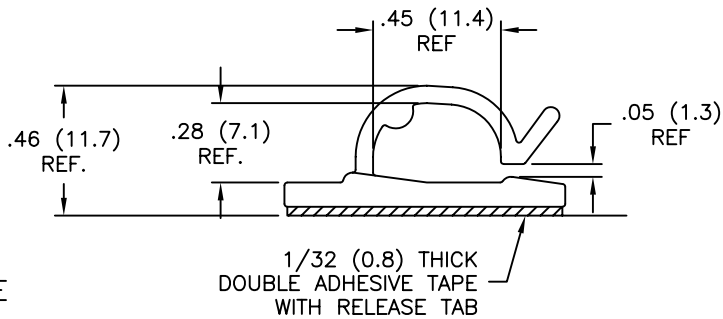
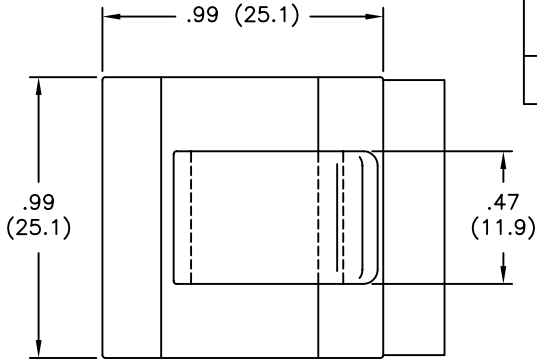


PART NO.	ADHESIVE TAPE
WCK-460-01A-RT	ACRYLIC, 1/32 THICK RMS-15 (WHITE LINER)
WCK-460-01	W/O TAPE



NOTES:

- MAT'L: NYLON 66 (RMS-01)  
COLOR: NATURAL
- P/N WCK-460-01A1-RT  
WITH DOUBLE SIDED ADHESIVE  
RUBBER TAPE (RMS-102)  
AVAILABLE BY SPECIAL ORDER ONLY.
- MAT'L: FLAME RET. NYLON 66  
(RMS-19), NAT. BY SPECIAL ORDER  
ONLY
- DRAWING DOES NOT NECESSARILY  
DEPICT TRUE POSITION OF RELEASE  
TAB.

G	SEE CO 200058	SK 11.08.07	TITLE: WIRE CORD KLIP					
F	ADDED NOTES 3 & 4.	SJ 06.03.02						
E	ADDED "REF." TO DIM. .28 (7.1)	SM 02.26.02	TOLERANCES UNLESS NOTED	FILE # WCK-460	DWN: P.B.	APP:		
D	CHANGED FILE NO.	SM 12.10.01	.XX=±.010	MAT'L: SEE NOTES	DT: 08-03-94	DT:	PART #	PRINT TYPE
C	ADDED NOTE 2.	S.M.12.05.00	.XXX=±.005	RE: RICHCO, INC.	RICHCO INC.		SEE TABLE	CA
B	ADDED RUBBER TAPE RMS- 102	S.M.11.30.00	FRAC=±1/64	PO BOX 804238, CHICAGO, 60680				
A	CONVERTED TO ACAD	PB 08.03.94	ANG=±1'	(773) 539-4060				
REV	DESCRIPTION	ENGR DATE						